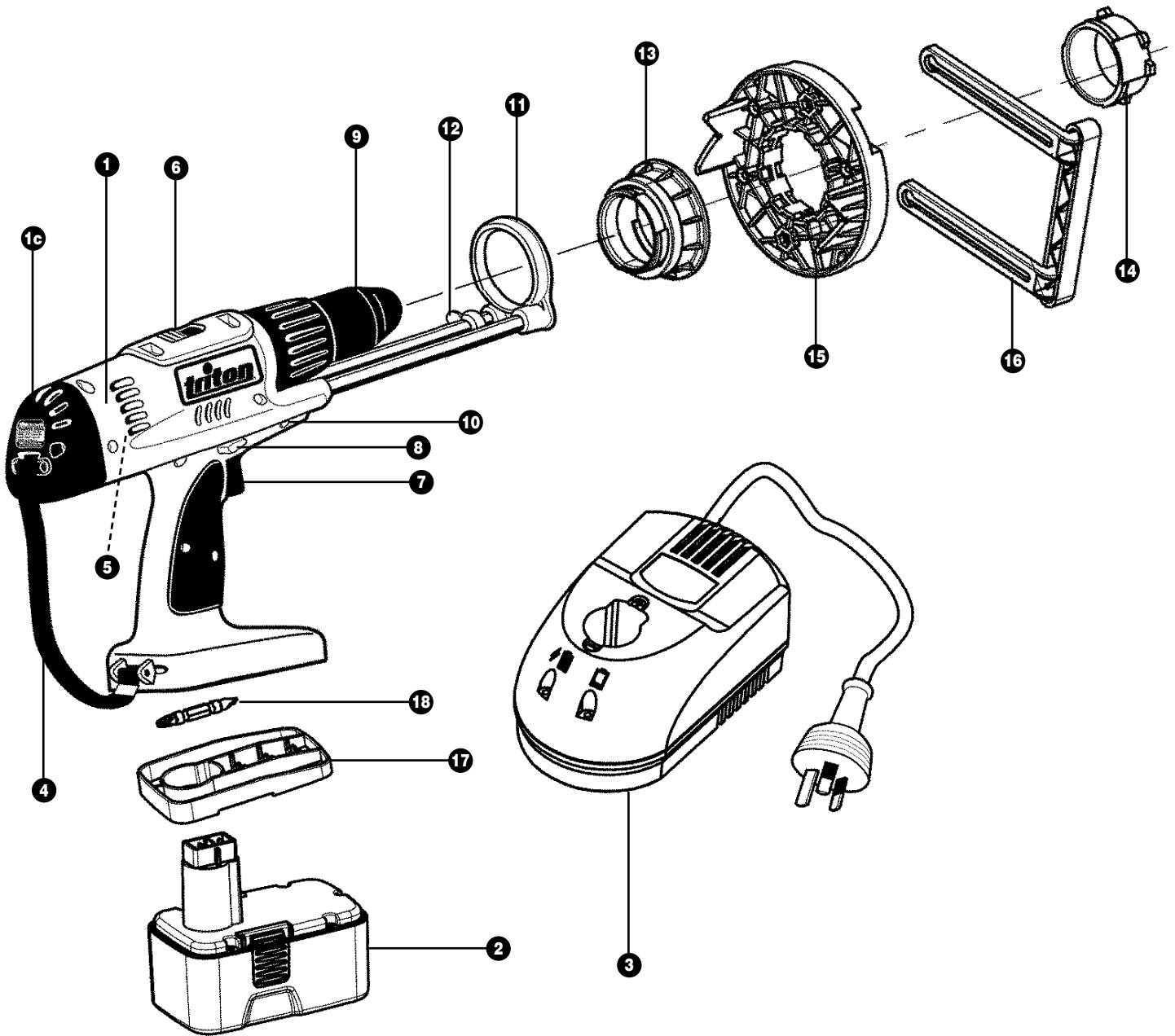


TRITON PLUNGE DRILL SPARE PARTS LISTING



1	TDA199	Drill body assembly (excludes battery & chuck)
2	TDA150	18V NiCd 2.0 Ah battery
3	TDA195	Battery charger
1a	TDA110	Body RHS
1b	TDA112	Body LHS
1c	TDA118	Rear cap
4	TDA119	Strap with upper & lower attachment pieces.
5	TDA128	Motor with wires
6	TDA122	Gear selector
7	TDA125	Trigger switch ass.(incl. battery contacts & wires)
8	TDA126	Direction selector
9	TDA132	Chuck
10	TDA137	Worklight assembly (incl. globe, switch & wires)
11	TDA179	Plunge base assembly (incl. posts and spring)
11a	TDA140	Plunge spring
11b	TDA142	Plunge spring guide

12	TDA175	Depth stop collar & thumb screw
13	TDA180	Extender spool
14	TDA192	V-base attachment ring
15	TDA182	V-base
16	TDA196	Fence
17	TDA186	Storage tray
18	TDA188	Driver bit
	TDA189	Blow moulded case
	TDA197	Instruction Manual