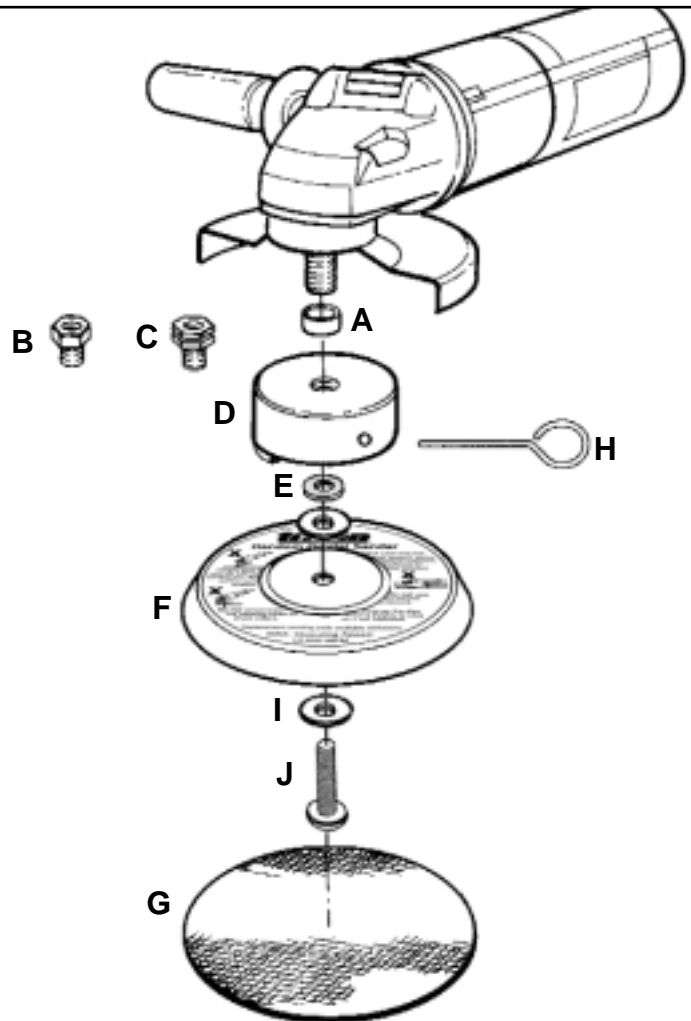
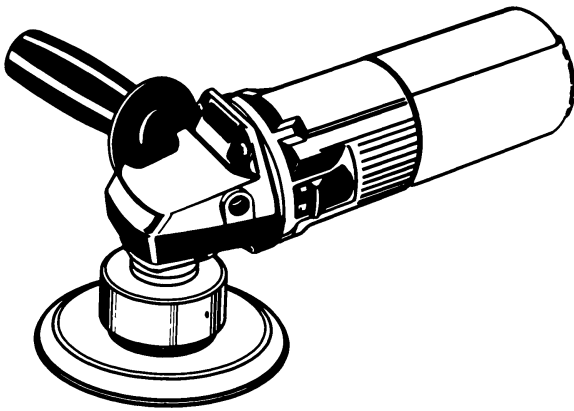


# Random Orbital Sander - OSA001

Suits 100mm (4") & 115mm (4 1/2") Angle Grinders



Diag. Ref.	Part No.	Description	Qty Supplied as Spare Part	Comments
-	CSA141	Blister Pack	1	
-	PUA257	Packing List	1	
-	PUA160	Information Card	1	
-	PUA234	Warning Leaflet	1	
-	PUA167	Instructions	1	
A	OSA007	Spacer Bush	1	
B	OSA004	Reduction Bush (10 x 1.5mm)	1	Suits most grinders
C	OSA005	Reduction Bush (10 x 1.25mm)	1	For Makita grinders (some models)
D	OSA016	Sanding Head	1	
E	CSA140	Fibre Washer (20 x 8mm)	1	
F	OSA029*	Sanding Pad (125mm)	1	Consumable part - see below
G	OSA020-028 <sup>†</sup>	Abrasive disc	-	See below
H	OSA013	Locking Pin	1	
I	CSA043	Metal Washer	1	
J	CSA267	5/16" x 3/4 Pan Head Screw	1	

\*The Hook & Loop Sanding Pad is a consumable part that is subject to wear and tear. Warranty does not extend to damage caused by misuse, abuse, use of incorrect abrasive discs (ventilated type), overheating caused by clogged discs or fair wear & tear. Warranty claims should be referred to Triton or their agents for assessment.

<sup>†</sup>Replacement abrasive discs are available in packets of 5 discs. Grits: 40 - OSA020, 60 - OSA021, 80 - OSA022, 120 - OSA023, 180 - OSA024, 220 - OSA025, 400 - OSA026, 600 - OSA027, 1200 - OSA028.

## Specifications:

**Packed weight:** 0.55kg

**Sanding Head:** Aluminium

**Pack Size:** 180 x 335 x 35mm **Volume:** 0.002m<sup>3</sup>

**Sanding Orbit:** 4mm

**Sanding Pad:** Urethane