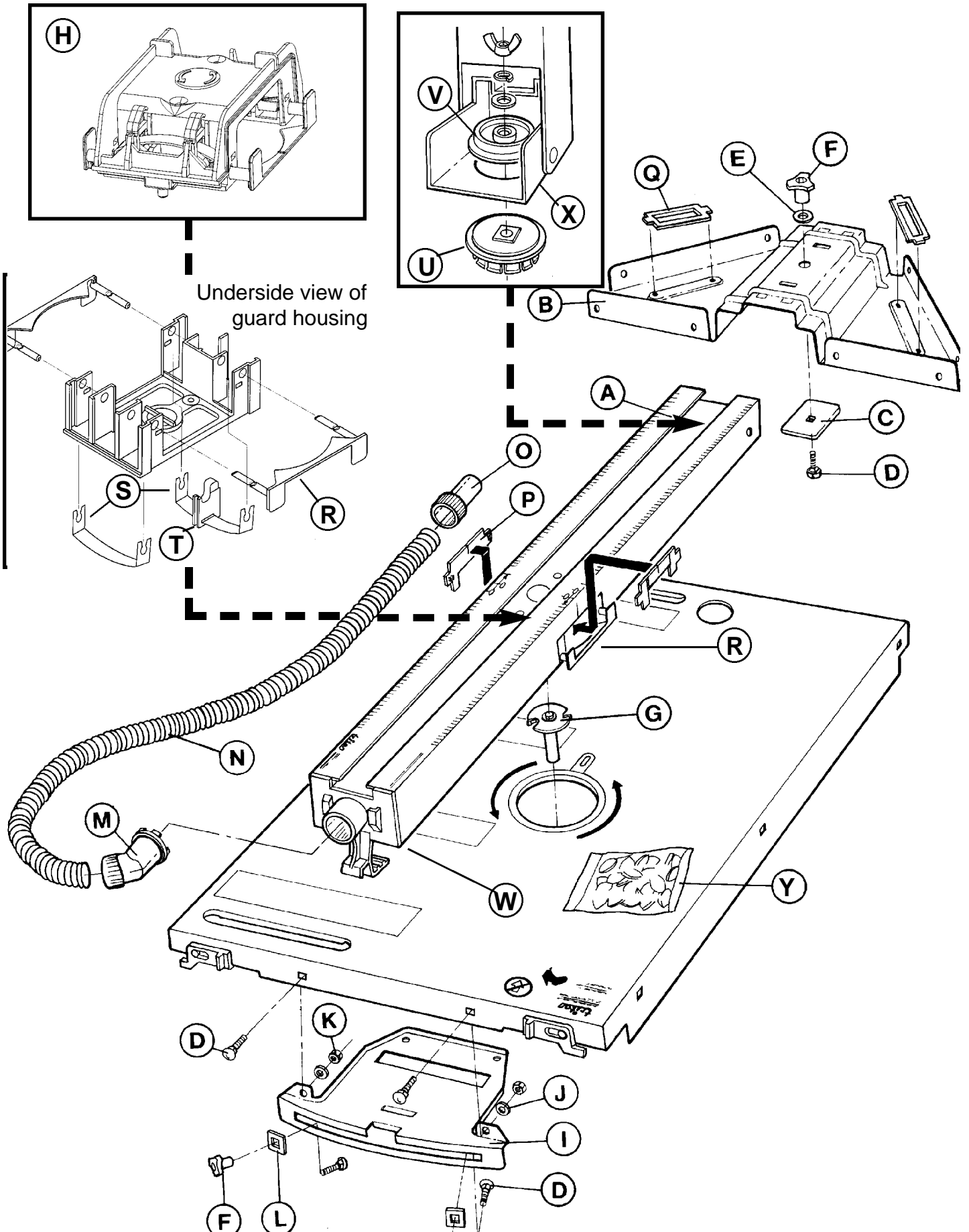


Biscuit Joiner System 2000 - BJA001

Suits Router/Jigsaw Table Series 2000. Adapts to suit earlier Router / Jigsaw tables.



Biscuit Joiner System 2000 - BJA001

Suits Router/Jigsaw Table Series 2000. Adapts to suit earlier Router / Jigsaw tables.†

| Diag. Ref. | Part No. | Description | Qty Supplied as Spare Part | Comments |
|------------|----------|--------------------------------------|----------------------------|-----------------------------------------------------------------|
| - | PUA190 | Packing Carton | 1 | |
| - | PUA267 | Packing List | 1 | |
| - | PUA193 | Instruction Manual | 1 | |
| - | PUA197 | Retrofit Template | 1 | For earlier model Router tables |
| A | BJA032 | Pivoting Fence | 1 | |
| B | BJA014 | Sliding Guide | 1 | |
| C | BJA016 | Guide Clamp | 1 | |
| D | - | 6mm x 16mm Coach bolt | 1 | } Available in Fastener Bag |
| E | - | 6 x 19mm Washer | 1 | |
| F | CPA096 | Tri-Knob (6mm) | 1 | |
| G | BJA038 | Cutter (complete) in container | 1 | Packed with 1/2" & 1/4" Shank |
| - | BJA053 | Cutting Disc only | 1 | |
| - | BJA055 | Shank 1/2" | 1 | |
| - | BJA058 | Shank 1/4" | 1 | |
| H | BJA306 | Guard Assembly (complete) | 1 | Complete with replacement screws |
| I | BJA041 | Spring Return Mechanism | 1 | |
| J | - | 6mm Washer | 2 | } Available in Fastener Bag |
| K | - | 6mm Nyloc nut | 2 | |
| L | - | Limit Stop | 2 | |
| M | CMA083 | Hose Adaptor | 1 | |
| N | CMA034 | Vacuum Hose | 1 | |
| O | CMA082 | Hose Nozzle | 1 | |
| P | BJA029 | Notched Windows | 1 | |
| Q | BJA022 | Slotted Windows | 1 | |
| R | BJA019 | Safety Guard | 1 | |
| S | BJA024 | Guard Spring (plastic) | 1 | |
| T | BJA007 | Lock Pin (plastic) | 1 | |
| U | BJA005 | Fence Pivot Boss | 1 | |
| V | BJA006 | Fence Retro Fit Disk | 1 | |
| W | BJA004 | Fence Hold Down Latch | 1 | |
| X | BJA003 | Fence Hinge Assembly | 1 | |
| - | BJA042 | Main Fastener Bag | 1 | |
| Y | BJA050 | Biscuits (packet of 50) | 1 | Additional biscuits also available in a barrel of 500 (BJA056). |
| - | BJA045 | 4mm Straight Router Bit (1/2" shank) | 1 | Accessory cutter, not included with product |

†**Special Note:** This product is suitable for fitting to all Triton Router / Jigsaw Tables manufactured after 16/7/87. They should have: 1) red slide catches fitted to the rear edge of the table, and 2) screen printed calibrated table scales. See Router / Jigsaw Table superseded products.

Specifications:

Packed weight: 3.85kg

Pack Size: 700 x 265 x 100mm **Volume:** 0.018m³

Paint: Epoxy powder coat (oven cured) **Fence:** Silver

Slide Guide : Charcoal Grey